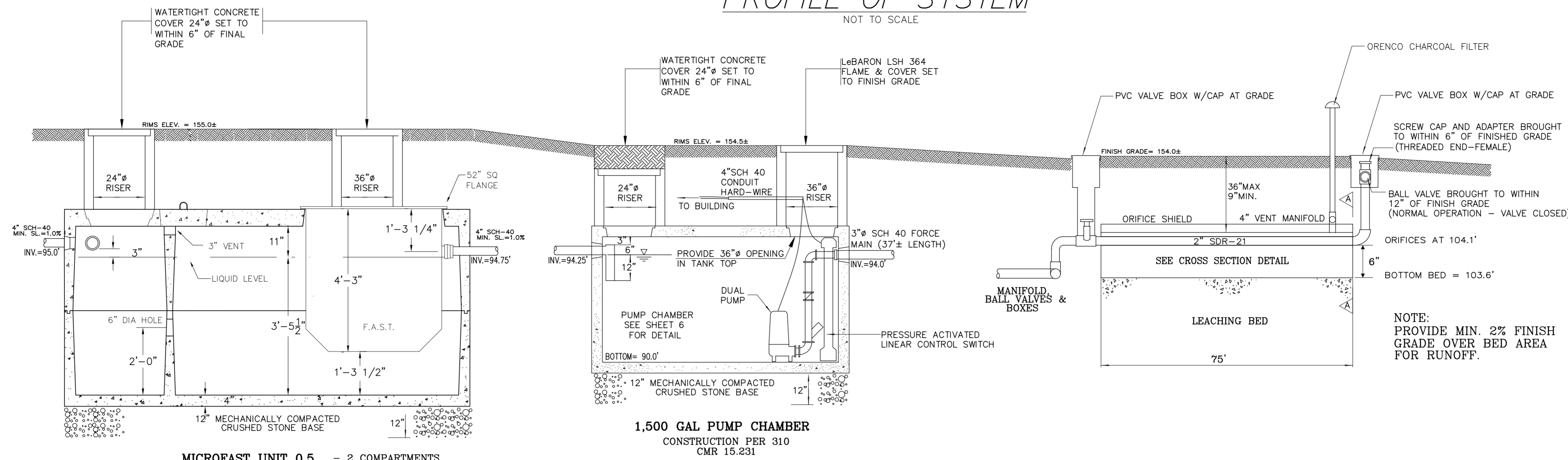
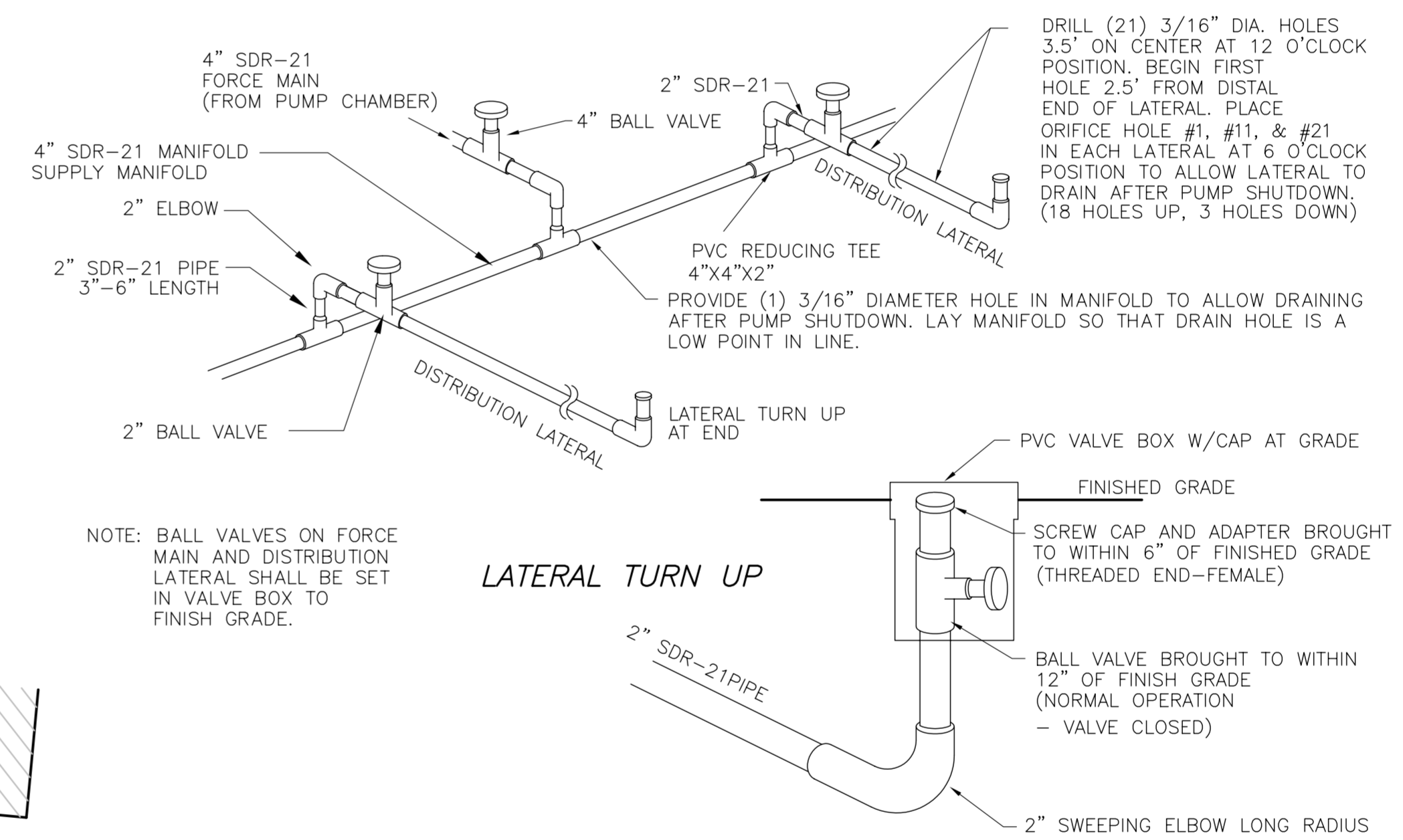


PROFILE OF SYSTEM

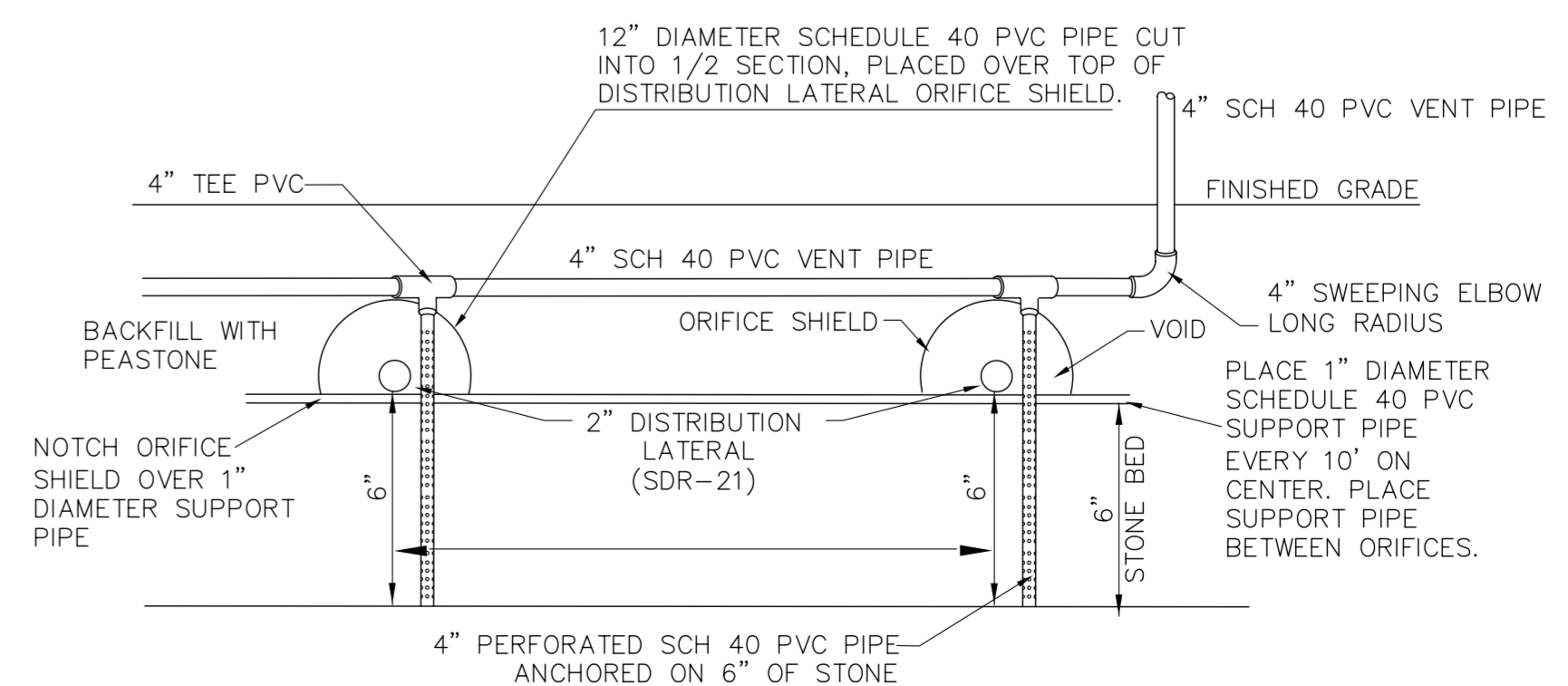
NOT TO SCALE



DISTRIBUTION SYSTEM

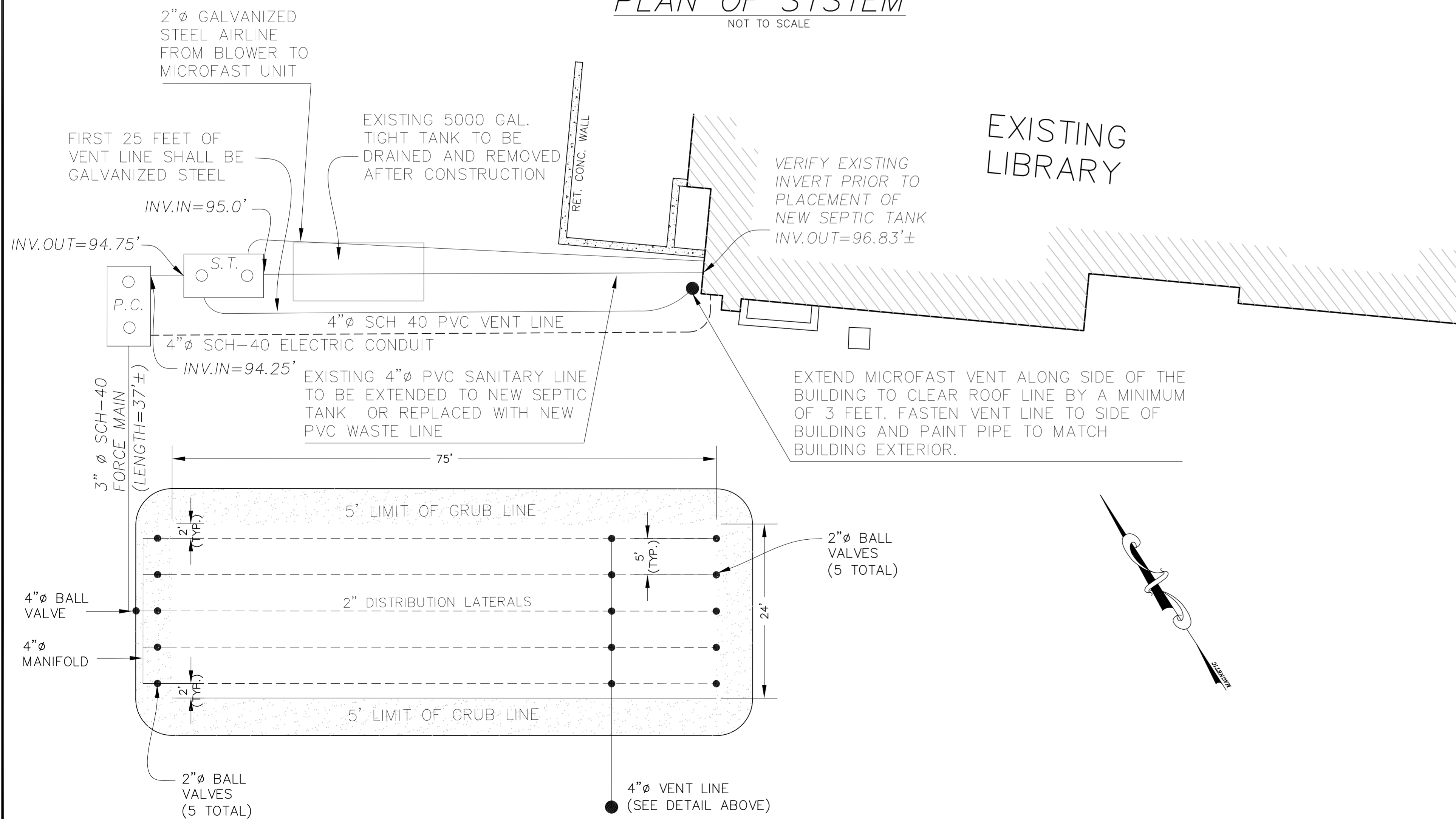


ORIFICE SHIELD & VENT MANIFOLD DETAIL



PLAN OF SYSTEM

NOT TO SCALE



DATE:

No.	Date	Description
01	06/13/02	MICROFAST UNIT 0.5

Prepared for:
SOUTHBOROUGH PUBLIC LIBRARY
COMMON STREET
SOUTHBOROUGH, MA 01772

Property of:
SOUTHBOROUGH PUBLIC LIBRARY
COMMON STREET
SOUTHBOROUGH, MA 01772

Prepared By: (508) 626-0063
Fox: (508) 875-6440
MWE Civil Engineers & Land Surveyors
MetroWest Engineering, Inc.
75 Franklin Street
Frammingham, MA 01702

Robert A. Gemma P.E. #31967

DATE:

Project Title
SITE PLAN AND SEPTIC DESIGN
COMMON STREET
SOUTHBOROUGH, MA 01772

Sheet Title
CONSTRUCTION DETAILS AND SYTEM PROFILE

SCALE	NOT TO SCALE
DRAWN	AMF
CHECKED	RAG
FILE NAME	SEPTIC.DWG
PROJECT	SB_MAIN1
ISSUE DATE	APRIL 30, 2002
JOB NO.	SB_MAIN1